

### STANDARDIZED DESIGN

Elastomer natural rubber, NR

Hardness 60 +/-5 Shore A

Metal insert: ST37 (galvanized, DIN EN 12329 – Fe//Zn12//A)

### OPTIONAL DESIGN

The SWERUB B-mounting is available in desired shore and rubber quality.

\*Optional dampers can be ordered with a longer delivery time.

Optional Hardness

- 40 (soft)
- 70 (hard)

Optional Metal insert

- A2 (stainless, AISI 304)
- A4 (stainless, AISI 316)

### APPLICATIONS

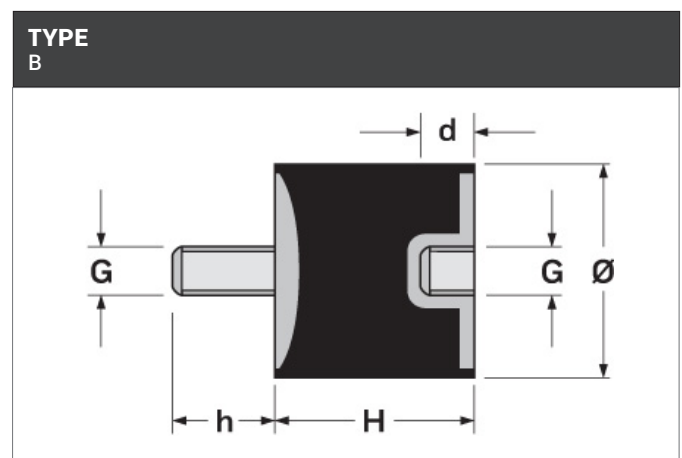
Cylindrical damper for absorbing vibration generated by machinery such as pumps, fans, electrical engines and other industrial equipment.

### FEATURES

Cylindrical Damper is used to isolate noise, vibrations and shock as well as to permit relative movement of suspended mass to the ground. Available in many sizes and in 3 variants of hardness. Most effective for taking loads in shear stress and/or compression.

### CHARACTERISTICS

- Elastomer (default natural rubber, NR)
- Operation temperature -40 - +80 °C
- Should not be used together with oil, alkaline, acid
- RoHS



d1 [mm]	H Standard [mm]	H *Optional [mm]	d2 [mm]	d3 [mm]	h1 [mm]	t [mm]
6		7, 8, 9, 10, 13	M3	M3	6	3
8		6, 8, 10, 13, 15	M3, M4	M3, M4	6	3
10	<b>10, 15</b>	8, 9, 10, 12, 15, 18, 20, 25, 28, 30	<b>M4</b> M3	<b>M4</b> M3	<b>M4x</b> 5, 10, 15	4
15	<b>10, 15, 20</b>	8, 9, 12, 18, 25, 28, 30	<b>M4, M5</b> M3, M6, M8	<b>M4, M5</b> M3, M6, M8	<b>M4x</b> 5, 8, 10, 15 <b>M5x</b> 5, 8, 15	4
18		13, 15	M5, M6	M5, M6	18	6
20	<b>10, 12, 15, 20, 25, 30, 40</b>	9, 17, 18, 22, 60, 13	<b>M6</b> M4, M5, M8, M10	<b>M6</b> M4, M5, M8, M10	<b>M6x</b> 8, 10, 15, 20, 30	6
25	<b>15, 20, 22, 25, 30</b>	10, 13, 18, 28, 35, 40, 50	<b>M6, M8</b> M4, M5, M12	<b>M6</b> M4, M5, M8, M12	<b>M6x</b> 10, 15, 20 <b>M8x</b> 7, 10, 15, 20	6
30	<b>15, 17, 20, 22, 25, 28, 30, 36, 40</b>	10, 13, 42, 45, 50	<b>M8</b> M5, M6, M10, M12, M16	<b>M8</b> M5, M6, M10, M12, M16	<b>M8x</b> 7, 10, 15, 20, 25, 30	8
40	<b>20, 30, 40</b>	15, 17, 25, 28, 35, 38, 45, 50, 55, 60	<b>M8, M10</b> M5, M6, M12, M16	<b>M8, M10</b> M5, M6, M12, M16	<b>M8x</b> 10, 15, 20, 25, 30 <b>M10x</b> 15, 20, 25, 30	8
50	<b>20, 25, 30, 36, 40, 42, 45, 48, 50</b>	22, 28, 55, 60, 65, 70, 80	<b>M10</b> M5, M6, M8, M12, M16	<b>M10</b> M5, M6, M8, M12, M16	<b>M10x</b> 15, 20, 25, 30	10
60		20, 25, 30, 35, 40, 43, 45, 50, 60	M6, M8, M10, M12, M14, M16	M6, M8, M10, M12, M14, M16	28	10
70		25, 30, 35, 40, 42, 45, 50, 55, 60, 70	M8, M10, M12, M14, M16	M8, M10, M12, M14, M16	27	10
75	<b>36, 40, 42, 45, 48, 50, 55</b>	20, 25, 28, 30, 52, 60, 65, 70, 100	<b>M12</b> M8, M10, M14, M16	<b>M12</b> M8, M10, M14, M16	<b>M12x</b> 27, 30, 37	12
80		17, 30, 40, 50, 55, 60, 65, 70, 75, 80	M10, M12, M14, M16	M10, M12, M14, M16	37	12
100	<b>40, 42, 45, 48, 50, 54, 55, 60</b>	30, 35, 65, 70, 75, 80, 100	<b>M16</b> M10, M12, M20, M24	<b>M16</b> M10, M12, M20, M24	<b>M16x</b> 37, 47	16
125		40, 55, 60, 70, 75, 90, 95, 100, 125	M12, M16	M12, M16	41	16
150		45, 50, 55, 60, 75, 100, 120, 150	M16, M20	M16, M20	41	16
164		75	M16, M20	M16, M20	41	16
200		100	M20, M24	M20, M24	40	20